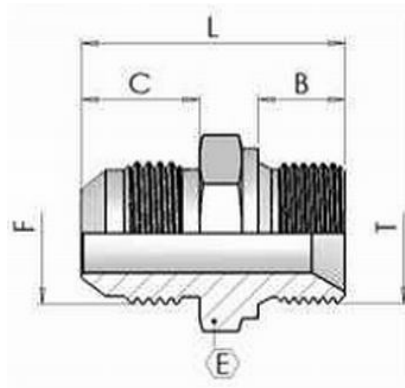


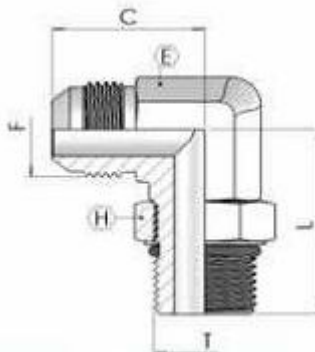
KORPUSY REDUKCYJNE BSP/JIC

KP34.. Przyłączka prosta BSP – JIC.



| Ciśnienie BAR | Kod | Gwint F | Gwint T |
|---------------|--------|-----------|---------|
| 345 | KP3401 | 7/16-20 | 1/8 |
| 345 | KP3402 | 7/16-20 | 1/4 |
| 345 | KP3403 | 1/2-20 | 1/4 |
| 345 | KP3404 | 9/16-18 | 1/4 |
| 345 | KP3405 | 3/4-16 | 1/4 |
| 345 | KP3406 | 7/16-20 | 3/8 |
| 345 | KP3407 | 1/2-20 | 3/8 |
| 345 | KP3408 | 9/16-18 | 3/8 |
| 310 | KP3409 | 3/4-16 | 3/8 |
| 240 | KP3410 | 7/8-14 | 3/8 |
| 310 | KP3411 | 9/16-18 | 1/2 |
| 310 | KP3412 | 3/4-16 | 1/2 |
| 240 | KP3413 | 7/8-04 | 1/2 |
| 240 | KP3414 | 1,1/16-12 | 1/2 |
| 240 | KP3415 | 7/8-14 | 5/8 |
| 240 | KP3416 | 1 1/16-12 | 5/8 |
| 240 | KP3417 | 3/4-16 | 3/4 |
| 240 | KP3418 | 7/8-14 | 3/4 |
| 240 | KP3419 | 1,1/16-12 | 3/4 |
| 240 | KP3420 | 1 5/16-12 | 3/4 |
| 240 | KP3421 | 1,1/16-12 | 1 |
| 210 | KP3422 | 1,5/16-12 | 1 |
| 170 | KP3423 | 1 5/8-12 | 1 |
| 170 | KP3424 | 1,5/8-12 | 1,1/4 |
| 170 | KP3425 | 1 5/8-12 | 1 1/2 |
| 140 | KP3426 | 1 7/8-12 | 1 1/2 |

KK40.. Przyłączka kątowa 90° BSP – JIC z przeciwnakrętką.



| Ciśnienie BAR | Kod | Gwint F | Gwint T |
|----------------------|------------|----------------|----------------|
| 350 | KK4001 | 7/16-20 | 1/8 |
| 350 | KK4002 | 7/16-20 | 1/4 |
| 350 | KK4003 | 1/2-20 | 1/4 |
| 350 | KK4004 | 9/16-18 | 1/4 |
| 250 | KK4005 | 9/16-18 | 3/8 |
| 250 | KK4006 | 3/4-16 | 3/8 |
| 200 | KK4007 | 7/8-14 | 3/8 |
| 250 | KK4008 | 3/4-16 | 1/2 |
| 200 | KK4009 | 7/8-14 | 1/2 |
| 200 | KK4010 | 1 1/16-12 | 1/2 |
| 200 | KK4011 | 7/8-14 | 3/4 |
| 200 | KK4012 | 1 1/16-12 | 3/4 |
| 160 | KK4013 | 1 5/16-12 | 1 |
| 125 | KK4014 | 1 5/8-12 | 1 1/4 |
| 100 | KK4015 | 1 7/8-12 | 1 1/2 |